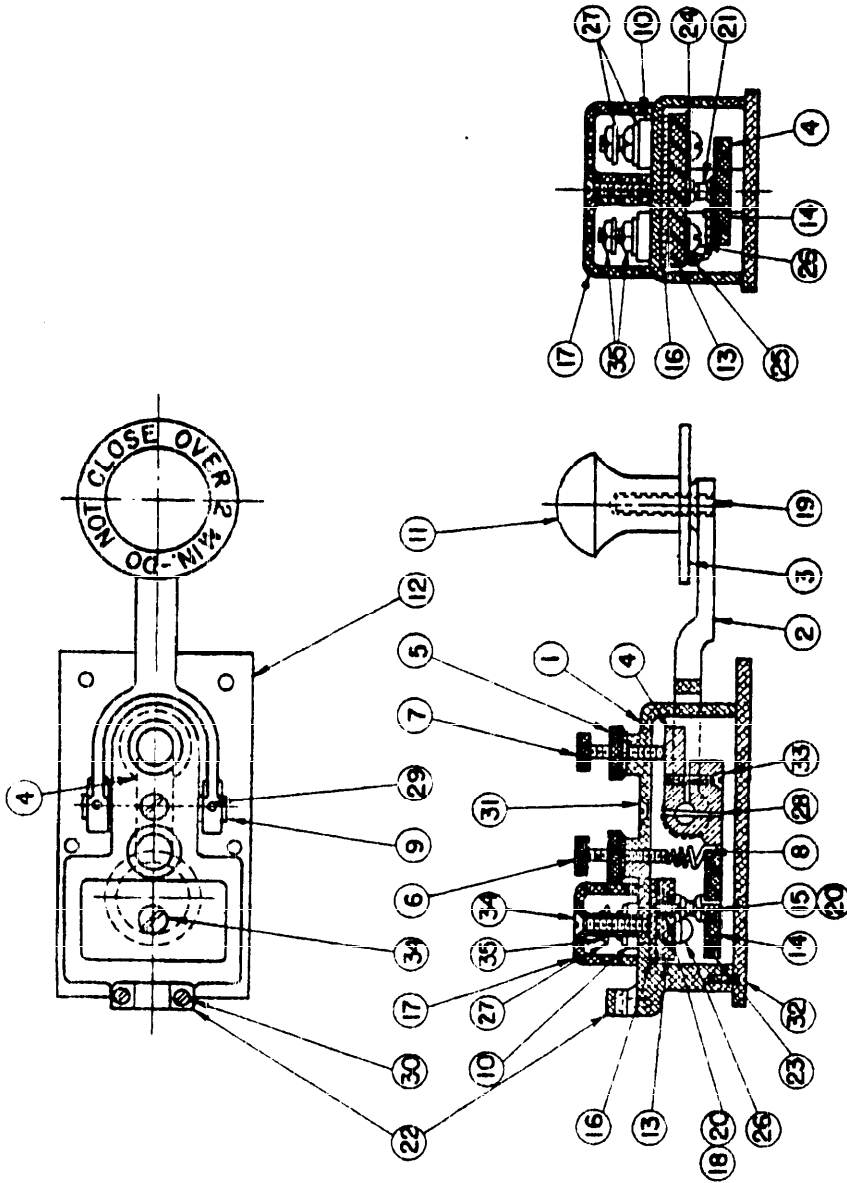


This standard has been approved by the Bureau of Ships Department of the Navy and is mandatory for use by that activity. All other military activities are required to employ this standard where suitable.

NOTICE - When Government drawings, specifications, or other data are used for any purpose other than in connection with a definitely related Government procurement operation the United States Government thereby incurs no responsibility, nor any obligation whatsoever; and the fact that the Government may have formulated, furnished, or in any way supplied the said drawings, specifications, or other data is not to be regarded by implication or otherwise as in any manner licensing the holder or any other person or corporation, or conveying any rights or permission to manufacture, use, or sell any patented invention that may in any way be related thereto.



FED. SUP CLASS
6220

APPROVED 5 DEC 1961 REVISED

P.A. SHIPS Other Cust	TITLE KEY SIGNALLING SEARCHLIGHT TOTALLY ENCLOSED TYPE 26003A	MILITARY STANDARD MS17397(SHIPS)
PROCUREMENT SPECIFICATION	SUPERSEDES DWG. 18-1-4173-L	SHEET 1 OF 11

LIST OF MATERIAL - QUANTITIES FOR ONE UNIT

PC. NO.	NAME	QTY.	MATERIAL	MATL. SPEC. OR STD. DWG. NO.
1	KEY FRAME	1	ALUMINUM ALLOY	
2	KEY LEVER	1	ALUMINUM ALLOY	
3	GUARD	1	CANVAS BAKELITE	
4	ARM	1	BRASS	WHITE NICKEL
5	LOCKWVT	2	BRASS	WHITE NICKEL
6	SPRING ADJ. SCREW	2	BRASS	WHITE NICKEL
7	STOP ADJ. SCREW	2	BRASS	WHITE NICKEL
8	SPRINGS	2	PHOS BRONZE	WHITE NICKEL
9	SHAFT	1	STAINLESS STEEL	
10	BUSHING	2	LAM. PHENOL TYPE FRG	SEE REQUIREMENT 4 MIL-P-15035
11	KNOB	1	MOLD. PHENOL TYPE MBI-60	MIL-M-14
12	BASE	1	ALUMINUM	
13	INSULATOR	1	LAM. PHENOL TYPE FRG	SEE REQUIREMENT 4 MIL-P-15035
14	ARM BUSHING	1	LAM. PHENOL TYPE FRG	SEE REQUIREMENT 4 MIL-P-15035
15	ARM CONTACT BUSHING	1	BRASS	WHITE NICKEL
16	INSULATOR	1	LAM. PHENOL TYPE FRG	SEE REQUIREMENT 4 MIL-P-15035
17	BINDING POST COVER	1	MOLD. PHENOL TYPE MBI-60	MIL-M-14
18	CONTACT BUSHING	1	BRASS	WHITE NICKEL
19	KNOB INSERT	1	BRASS	WHITE NICKEL
20	CONTACT SCREW	2	BRASS	WHITE NICKEL
21	CONTACT	2	COIN SILVER	
22	KEY CABLE CLAMP	1	ALUMINUM	BLACK CRACKLE
23	PTV	3	BRASS	WHITE NICKEL
24	LEAD	1	BRASS	WHITE NICKEL
25	LEAD ASSEMBLY (SEE DETAIL)	1		
26	8-32 X 7/8 R H SCREW	2	BRASS	WHITE NICKEL
27	* 3 WASHER	4	BRASS	WHITE NICKEL
28	6/0 X 5/8 TAPER PIN	1	COR RESIST STEEL	
29	6/0 X 1/2 TAPER PIN	2	COR RESIST STEEL	
30	4-40 X 5/16 R H SCREW	2	BRASS	WHITE NICKEL
31	4-40 X 1/8 P H SCREW	1	BRASS	WHITE NICKEL
32	6-32 X 3/8 P H SCREW	3	BRASS	WHITE NICKEL
33	6-32 X 1/2 P H SCREW	1	BRASS	WHITE NICKEL
34	6-32 X 3/4 P H SCREW	1	BRASS	WHITE NICKEL
35	8-32 X 1/8 X 11/32 HEX NUT	4	BRASS	WHITE NICKEL

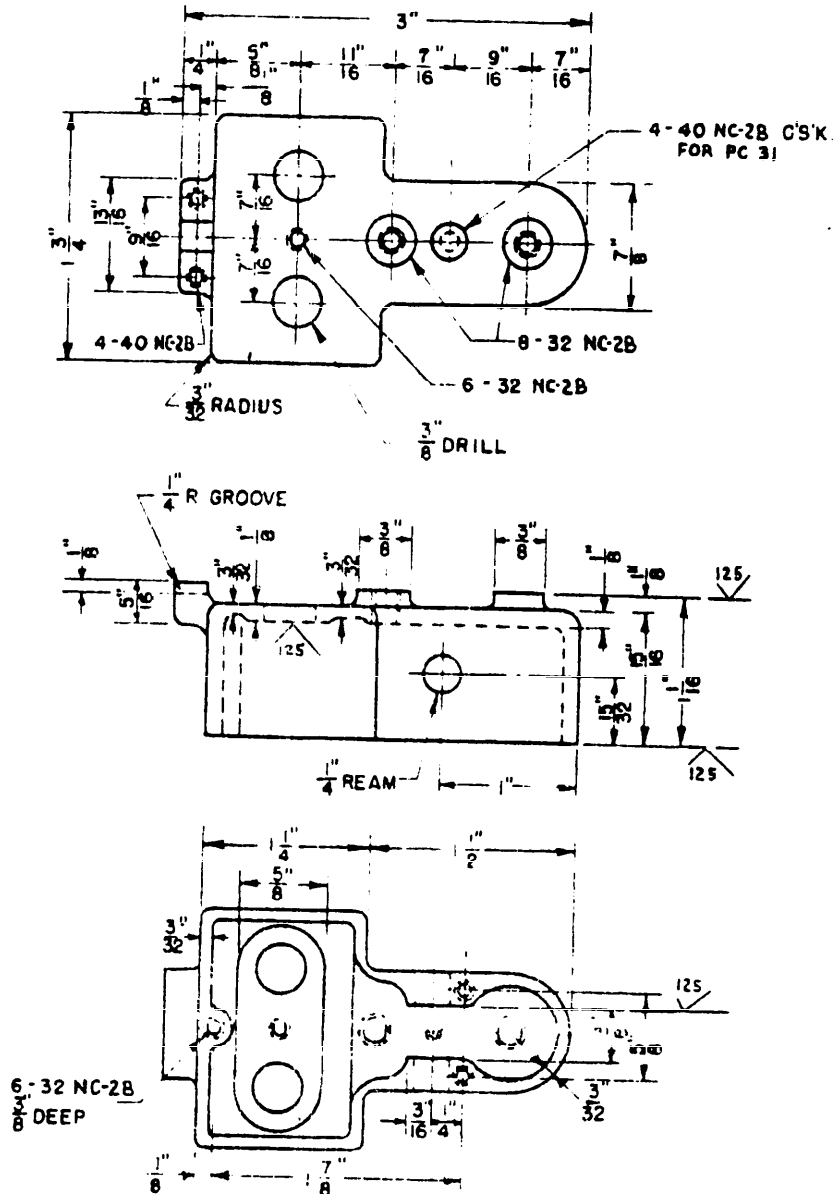
NOTICE.—When Government drawings, specifications, or other data are used for any purpose other than in connection with a definitely related Government procurement operation, the United States Government thereby incurs no responsibility, nor any obligation whatsoever, and the fact that the Government may have furnished, limited, or in any way supplied, the said drawings, specifications, or other data, shall not be construed by implication or otherwise as in any manner licensing the holder or any other person or corporation, or conveying any rights or permission to reproduce, use, or sell any patented invention that may in any way be related thereto.

This standard has been approved by the Bureau of Ships, Department of the Navy, and is mandatory for use by that activity. All other military activities are required to employ this standard where suitable.

APPROVED 5 OCT 1961 REVISED

P.A. SHIPS Other Cost	TITLE KEY SIGNALLING SEARCHLIGHT TOTALLY ENCLOSED TYPE 26003A	MILITARY STANDARD MS 17397 (SHIPS)
PROCUREMENT SPECIFICATION	SUPERSEDES DWG. 18-T-4173-L	SHEET 2 OF

FED. SUP CLASS
6220



NOTICE:—When Government drawings, specifications, or other data are used for any purpose other than in connection with a definitely related Government procurement operation, the United States Government thereby incurs no responsibility, nor any obligation whatever, and the fact that the Government may have formulated, furnished, or in any way supplied the said drawings, specifications, or other data is not to be regarded by implication or otherwise as in any manner increasing the liability of the holder or any other person or corporation, or conveying any rights or permission to manufacture, use, or sell any patented invention that may in any way be related thereto.

This standard has been approved by the BUREAU OF SHIPS Department of the NAVY and is mandatory for use by that activity. All other military activities are required to employ this standard where suitable.

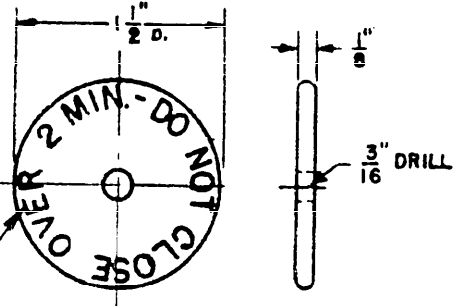
(1) ANODIZE & BLACK ENAMEL
OUTSIDE BLACK INSIDE

APPROVED 5 F REVISED

P.A. SHIPS Other Cost	TITLE KEY SIGNALLING SEARCHLIGHT TOTALLY ENCLOSED TYPE 26003A	MILITARY STANDARD MS 17397 (SHIPS)
Procurement Specification	SUPERSEDES DWG. 18-T-4173-L	SHEET 3 OF

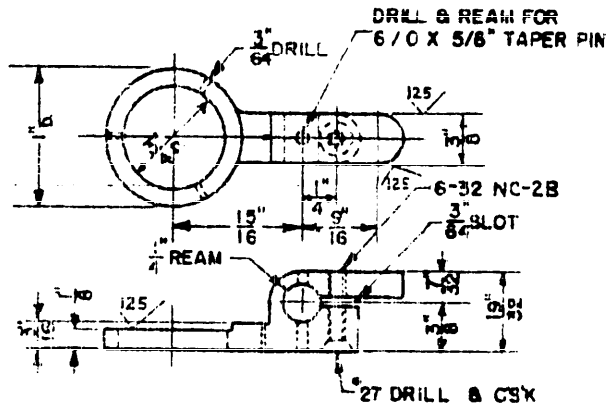
NOTICE.—When Government drawings, specifications, or other data are used for any purpose other than in connection with a definitely related Government procurement operation, the United States Government thereby incurs no responsibility, nor any obligation whatsoever, and the fact that the Government may have formulated, furnished, or in any way supplied the said drawings, specifications, or other data is not to be regarded by implication or otherwise as in any manner licensing the holder or any other person or corporation, or conveying any rights or permission to manufacture, use, or sell any patented invention that may in any way be related thereto.

ENGRAVE LETTERS AND FIGURES 3/16" HIGH AND 1/16" FROM OUTER EDGE AS SHOWN AND FILL WITH WHITE FILLING COMPOUND.



3

This standard has been approved by the BUREAU OF SHIPS Department of the NAVY and is mandatory for use by that activity. All other military activities are required to employ this standard where suitable.



4

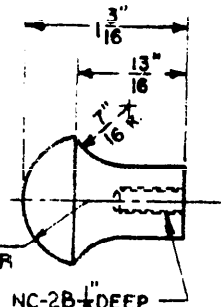
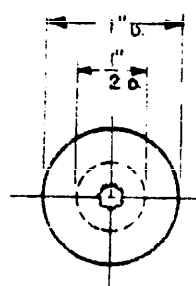
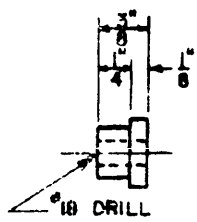
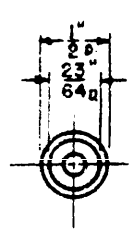
APPROVED 5 JUL 1951 REVISED

P.A. SHIPS	TITLE	MILITARY STANDARD
Other Cust	KEY SIGNALLING SEARCHLIGHT TOTALLY ENCLOSED TYPE 26003A	MS 17397 (SHIPS)
Procurement Specification	SUPERSEDES: DWG. 18-T-4173-L	SHEET 1 OF

NOTICE: When Government drawings, specifications, or other data are used for any purpose other than in connection with a definitely related Government procurement operation, the United States Government thereby incurs no responsibility, nor any obligation whatsoever, and the fact that the Government may have formulated, furnished, or in any way supplied the said drawings, specifications, or other data is not to be regarded by implication or otherwise as in any manner licensing the holder or any other person or corporation, or conveying any rights or permission to manufacture, use, or sell any patented invention that may in any way be related thereto.

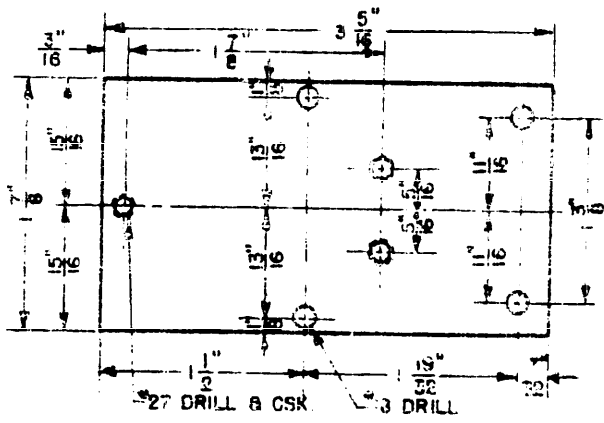
This standard has been approved by the U.S. Navy and is mandatory for use by the Department of the Navy and is advisory for use by other activities. All other military activities are required to employ this standard where applicable.

FED. SUP CLASS
6 220



(10) SEE REQUIREMENT 4

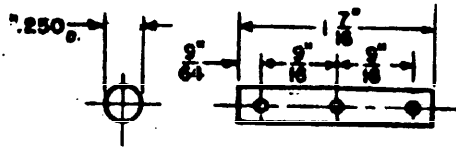
(11)



(12) 1/4 THICK

APPROVED 5 DEC 1951 REVISED

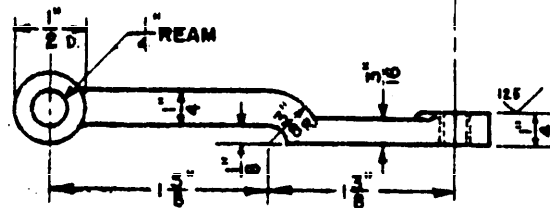
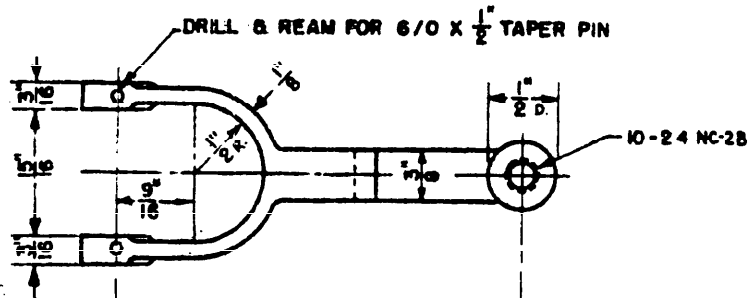
PA. SHIPS	TITLE	KEY SIGNALLING SEARCHLIGHT TOTALLY ENCLOSED TYPE 26003A	MILITARY STANDARD
Other Cust			MS 17397 (SHIPS)
Procurement Specification	SUPERSEDES	DWG. 18-T-4173-L	SHEET 7 OF



DRILL & REAM FOR TAPER PIN WHEN ASSEMBLING.

9

NOTICE—When Government drawings, specifications, or other data are used for any purpose other than in connection with a definitely related Government procurement operation, the United States Government thereby incurs no responsibility, nor any obligation whatsoever; and the fact that the Government may have formulated, furnished, or in any way supplied the said drawings, specifications, or other data is not to be regarded by implication or otherwise as in any manner licensing the holder or any other person or corporation, or conveying any rights or permission to manufacture, use, or sell any patented invention that may in any way be related thereto.



2

This standard has been approved by the BUREAU OF SHIPS Department of the NAVY and is mandatory for use by that activity. All other military activities are required to employ this standard where suitable.

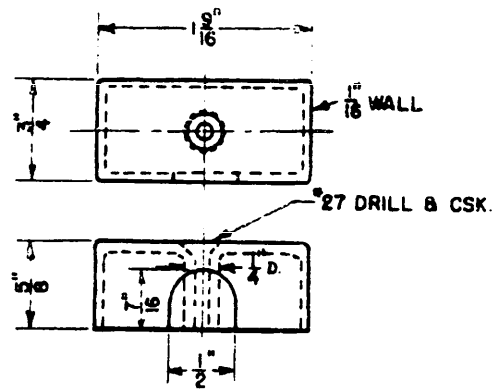
P.A. SHIPS	TITLE	KEY SIGNALLING SEARCHLIGHT TOTALLY ENCLOSED TYPE 26003A	MILITARY STANDARD
Other Cust			MS 17397 (SHIPS.)
Procurement Specification	SUPERSEDES:	DWG. 18-T-4173-L	SHEET 8 OF

APPROVED 5 DEC 1961 REVISED

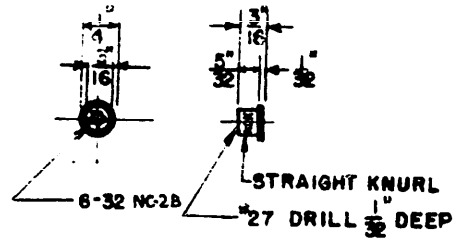
NOTICE.—When Government drawings, specifications, or other data are used for any purpose other than in connection with a definitely related Government procurement operation, the United States Government hereby incurs no responsibility, nor any obligation whatsoever, and the fact that the Government may have formulated, furnished, or in any way supplied the said drawings, specifications, or other data is not to be regarded by implication, otherwise as in any manner licensing the holder or any other person or corporation, or conveying any rights or permission to manufacture, use, or sell any patented invention that may in any way be related thereto.

This standard is a non-approved by the BUREAU OF SHIPS and is mandatory for use by the activity. All other military activities are required to employ this standard where suitable.

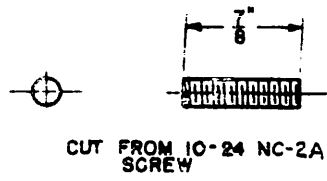
FED. SUP CLASS
6 2 2 0



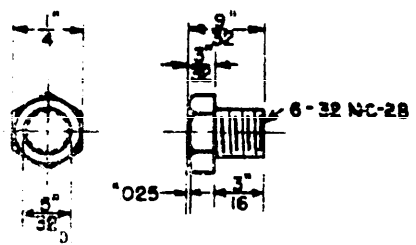
17



18 SEE REQUIREMENT 4



19



20

APPROVED 5 DEC 1961 REVISED

Other Cust	TITLE KEY SIGNALLING SEARCHLIGHT TOTALLY ENCLOSED TYPE 26003A	MILITARY STANDARD
		MS 17397 (SHIPS)
Procurement Specification	SUPERSEDES: DWG. 18-T-4173-L	SHEET 2 OF

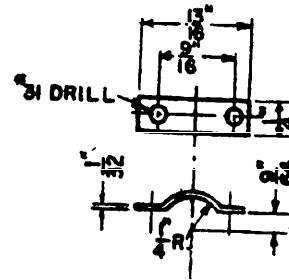
NOTICE.—When Government drawings, specifications, or other data are used for any purpose other than in connection with a definitely related Government procurement operation, the United States Government hereby incurs no responsibility, nor any obligation whatsoever; and the fact that the Government may have formulated, furnished, or in any way supplied the said drawings, specifications, or other data is not to be regarded as an authorization or endorsement in any manner licensing the holder or any other person or corporation, or conveying any rights or permission to manufacture, use, or sell any potential invention that may in any way be related thereto.

This standard has been approved by the BUREAU OF SHIPS Department of the NAVY and is mandatory for use by that activity. All other military activities are required to employ this standard where suitable.



SOLDER INTO RT. #20

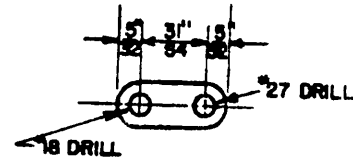
21 - 1/16" THICK



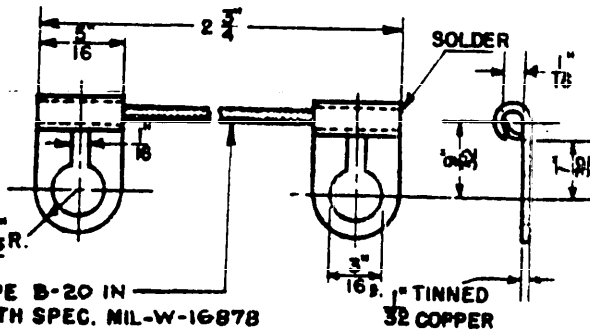
22



23



24 - 1/32" THICK



WIRE TO BE TYPE B-20 IN ACCORDANCE WITH SPEC. MIL-W-16878

1" TINNED 32 COPPER

25

APPROVED 5 DEC 1961 REVISED

P.A. SHIPS	TITLE	KEY SIGNALLING SEARCHLIGHT TOTALLY ENCLOSED TYPE 26003A	MILITARY STANDARD
Other Cust			MS 17397 (SHIPS)
Procurement Specification	SUPERSEDES:	DWG. 18-T-4173-L	SHEET 10 OF

FED. SUP. CLASS
6220

REQUIREMENTS

1. DETAIL AND GENERAL REQUIREMENTS SHALL COMPLY WITH NOTES 2, 20, 23, 24, 25, 30, 33, 37, 40, 44, 54, 55, 56, 66, 67 ON MIL STD MS10662.
2. THE TYPE NUMBER SHALL BE ENGRAVED IN A CONSPICUOUS PLACE AND FILLED IN WHITE.
3. KEY SHALL CONFORM TO ALL APPLICABLE PARAGRAPHS OF SPEC MIL-S-15099.
4. ALL PHENOLIC PIECES MAY BE MOLDED OF ALKYD, HAI-60, SPEC MIL-M-14, IF DESIRED, AND COMMERCIAL INSERTS (TAP-LOK - MS35974 OR EQUAL) USED IN PIECES 13 AND 14 TO REPLACE PIECES 15 AND 18.

NOTICE: When Government drawings, specifications, or other data are used for any purpose other than in connection with a definitely related Government procurement operation, the United States Government thereby incurs no responsibility, nor any obligation whatsoever, and the fact that the Government may have formulated, furnished, or in any way supplied the said drawings, specifications, or other data is not to be regarded by implication or otherwise as in any manner licensing the holder or any other person or corporation, or conveying any rights or permission to manufacture, use, or sell any patented invention that may in any way be related thereto.

Reference is made to the drawings and specifications for SHIPS and to mandatory for use by the activity. All other military activities are required to comply with standard where applicable.

DIMENSIONS ARE IN INCHES
TOLERANCES UNLESS SPECIFIED
DECIMAL DIMENSIONS ± .005
FRACTIONAL DIMENSIONS ± 1/64

Project 6220-100150

Other Cust	KEY SIGNALING SEARCHLIGHT TOTALLY ENCLOSED TYPE 26003A	MILITARY STANDARD MS 17397(SHIPS)
Procurement Specification	SUPERSEDES: DWG. 18-T-4173-L	SHEET 11 OF

APPROVED 5 DEC 1961 REVISED

12